

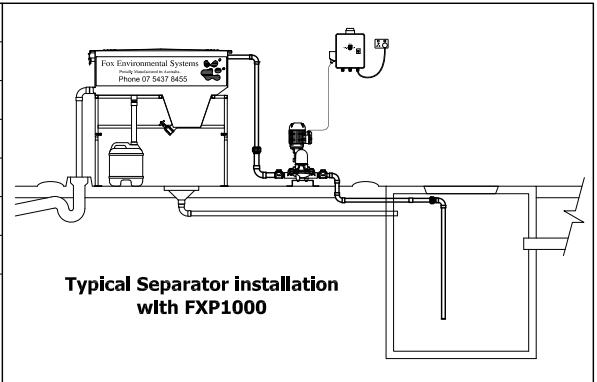
FOX FXP1000 Diaphragm Pump

MODEL No:	Fox FXP1000
PUMP TYPE:	Diaphragm Pump
DIAPHRAM:	Nitril Rubber
MAX FLOX RATE:	800 Litres per hour
POWER REQUIRMENTS:	10 Amp/ 240V / 50 hz
WEIGHT:	kg 18
DIMENSIONS:	530H x 420L x 265W

PUMP SPECIFICATIONS	
PORT SIZE	25mm
PUMP SPEED	30 rpm
SUCTION LIFT	3.0 m
TOTAL HEAD FROM ALL CAUSES	4.2 m
LITRES PER HOUR	800
MOTOR SPECIFICATIONS	
PHASE	1
VOLTS	240 V
POWER DRAW	.18 kW
FULL LOAD AMPS	1.5 Amp
I,P	55

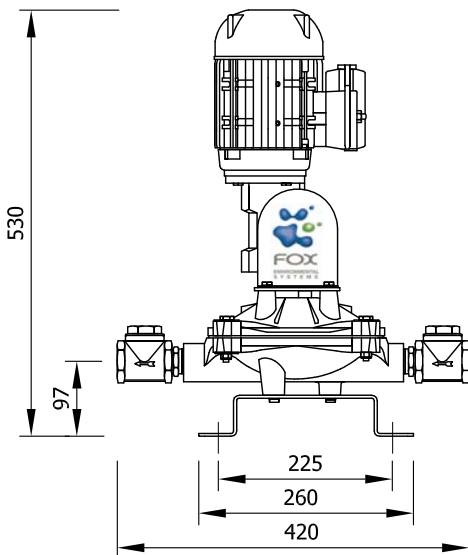


PIPE SIZES			
SUCTION PIPE LENTH	0-5 m	5-10 m	10 - 15 m
PIPE SIZES	25mm	32mm	Not Suitable
PIPE TYPE	PVC Pressure Pipe	PVC Pressure Pipe	
DISCHARGE PIPE LENTH	0-5 m	5-10 m	10-20m
PIPE SIZES	32MM	40MM	40MM
PIPE TYPE			
Note: Pipe runs should be as direct as Possible with bends keep to a minimum. Pipes need to be airtigh and well supported. Warranty will be void if the above recommendations are not adhered to.			



FRONT VIEW

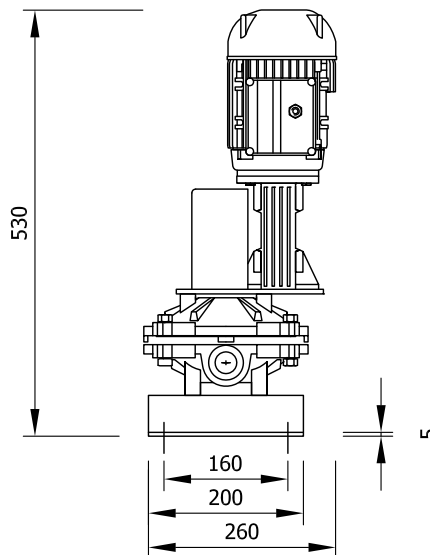
Scale 1:10



Note: Dimensions are Approximate

SIDE VIEW

Scale 1:10



Unit 2/8 Dual Avenue Warana Queensland 4575
 Phone: 07 5437 8455 Fax: 07 5437 8488
 e-mail: info@foxenviro.com.au
 Web: www.foxenviro.com.au

This Drawing and design Is the Property of Fox Environmental Systems Pty Ltd. It must not be used for any other purpose than that for which it was issued. This drawing must not be shown or lent to anyone without the written permission of Fox Environmental Systems Pty Ltd.

Drawing Title
FXP1000 Diaphragm Pump Specification

Drawn by:	J,F,S
Date:	14/09/2009
Scale:	Not to Scale
Drawing No:	A4-SPEC-1030-1