

# Schematic Detail of FF600 Diversion System

## This Is A Sydney Water "Authorized Product"

### SPECIFICATIONS

Material	6mm MDPE
Silt Basket Capacity	50 Litres
	9mm holes
Diversion Valve	1200l/min
Flow Rate	@.5m head
Max Inlet Pressure	1400kPa
Grate	Class D HD Galvanised

Note: No Washdown during a rain event refer to local authority

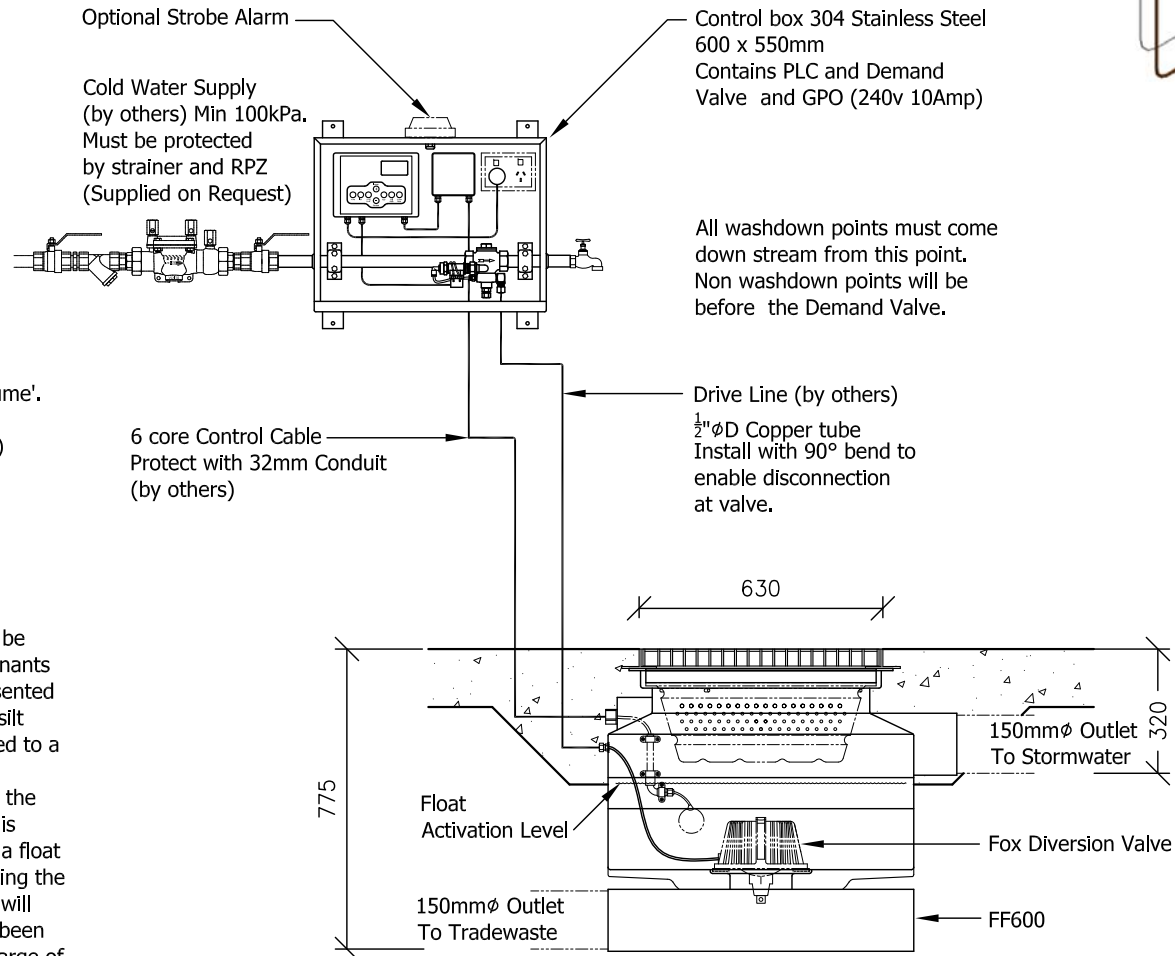
### Calculation Note:

The working volume is the 'First Flush Capture Volume'.

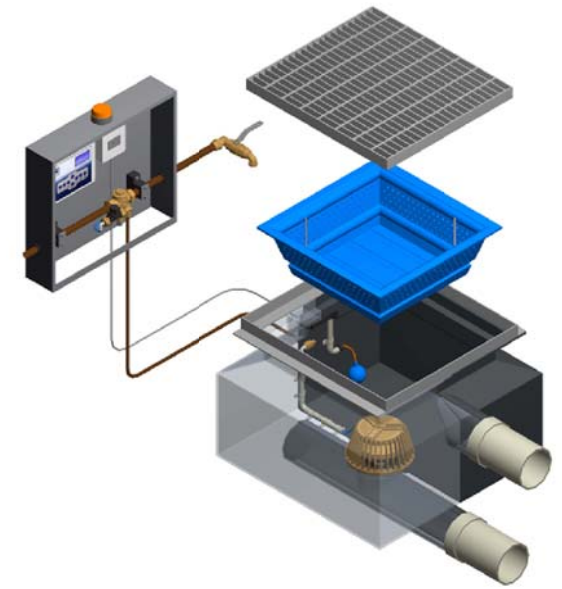
= Area of Wash Slab (m<sup>2</sup>) x First Flush Depth (mm)  
i.e. 250m<sup>2</sup> area x 10mm depth = 2500 Litres.

### PROCESS DESCRIPTION

The Fox FF600 is suitable for use where it can not be guaranteed that an area will be left free of contaminants at the end of a washdown operation. Runoff is presented to the Fox FF600 chamber via the grated inlet and silt basket. During a wash operation all runoff is diverted to a holding tank for treatment or proper disposal. During a rain event if no washdown is taking place, the level in the chamber will rise as the diversion valve is closed. At a point just below the stormwater outlet a float will activate, opening the diversion valve and diverting the pit contents to the Treatment tank. This procedure will continue until the required 'First Flush' volume has been diverted. After the First Flush has been taken discharge of the runoff will be through the stormwater outlet pipe. This arrangement eliminates the larger volumes of runoff that are normally collected with a conventional First Flush capture system.



All washdown points must come down stream from this point. Non washdown points will be before the Demand Valve.



This is a schematic representation only. Slab size and gradient to engineers details as arranged by customer. All plumbing and electrical connections to be installed by certified tradesmen in accordance with relative authorities requirements. Tradesmen to be engaged by the purchaser. System to be approved by relative Local Authorities before Installation.

This Drawing and design is the Property of Fox Environmental Systems Pty Ltd. It must not be used for any other purpose than that for which it was issued.

Project  
**System Specifications**

Drawing Title  
**FF600 Diversion System**



Drawn by:	J.F.S
Date:	08-01-2020
Scale:	As Specified
Drawing No:	A4-SPEC-1007/2